

The Total Wire & Cable Solution

Special Sourcing Group



TPC WIRE & CABLE CORP.
EXPECT HIGH PERFORMANCE®

Specialists in Wire & Cable

TPC Wire & Cable Corp. is an innovative producer of wire, cables and connectors used in harsh industrial environments. Through more than 35 years of progressive development and refinement, our products and accessories deliver reliable performance where other wire and cables consistently fail. TPC Wire & Cable designs and markets products that keep your operations running safe and sure. Our products and accessories effectively serve a broad spectrum of industries including steel, utility, mining, automotive, food & beverage, government, oil & gas, transportation and wood, pulp & paper markets.

Our products are backed by exceptional customer service all the way from sales to engineering to distribution. We understand how important streamlined ordering and on-time deliveries are to our customers and we work hard to make it happen.

TPC Wire & Cable products are designed for performance and durability. That durability pays for itself, especially when you consider downtime from lost production, replacement costs, maintenance, repair and administrative or regulatory challenges caused by failed wire, cables and connectors. From large bulk orders of wire connectors to a completely customized set of cable connectors, TPC Wire & Cable is the one company that can produce and ship everything you need in one order. We look forward to serving your wire and cable needs.

TPC Wire & Cable has been servicing industrial markets for more than 20 years. During this time we have developed a broad line of products to suit your cable needs including a full range of portable cord, power cable, multi-conductor control cable as well as shielded cable products. In 2010 we began expanding our product offering with a focus on providing more general usage products:

- Products designed to meet your specifications
- Product in stock or available with short lead times
- Competitive Pricing
- Custom Wire & Cable Solutions
- Custom Cutting
- Custom Marking (Custom Printing Services)
- Field Sales Representatives
- Engineering Support

TPC products are uniquely designed for:

- Static Tray Cables
- High-Flex Multi-Axis Robotics, Reeling and Power Tracks
- Extreme Temperatures -70°C to 538°C
- Chemical / Coolants / Caustic Environments
- We also specialize in environmental extremes involving Heat, Cold and Chemicals.

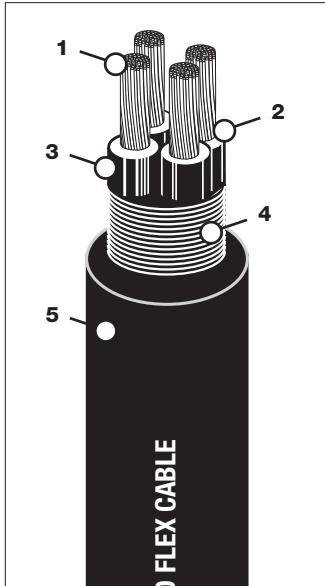


TPC WIRE & CABLE CORP.
EXPECT HIGH PERFORMANCE®

TPC Standard-Flex™ Cord & Cables

- UL Listed
- Type TC-ER – 600 V
- cUL
- WTTC – 1,000 V
- FT-4 Flame Rating
- Max Conductor Temperature 90°C
- Sunlight Resistant

TPC Standard-Flex™ Cord & Cable is a highly flexible, extra hard usage cord with excellent resistance to impact, cutting, abrasion, oils and most industrial chemicals. This cable also features bunch stranded soft drawn copper, high-flex tape separator around the inner components and nylon fillers. The specially compounded TPE jacket is a superior line of defense against tearing, abrasion, impact, oil, ozone and most chemicals.



FEATURES & BENEFITS

- 1. BUNCH STRANDED SOFT DRAWN COPPER –** Longer flex life in flexing and twisting applications.
- 2. TPE CONDUCTOR INSULATION –** Oil resistant and has high dielectric, tensile and mechanical properties.
- 3. CONDUCTORS ARE CODED WITH NUMERIC IDENTIFICATION –** Provides fast identification of conductors. Easy to read and simplifies installation.
- 4. HIGH FLEX TAPE SEPERATOR AROUND INNER COMPONENTS –** Provides easy movement of the conductor bundle for longer flex life.
- 5. SPECIALLY COMPOUNDED TPE JACKET –** Superior first-line defense against tearing, abrasion, impact, oil, ozone and most chemicals. Flame and heat-resistant. Extreme all-weather flexibility.
- 6. NYLON FILLERS –** Low friction, non-wicking fillers provide excellent flexibility.

NO. OF CONDUCTORS	1	2	3	4
COLOR	Green/Yellow	Black-1	Black-2	Black-3

ORDERING INFORMATION (Call for pricing & availability)

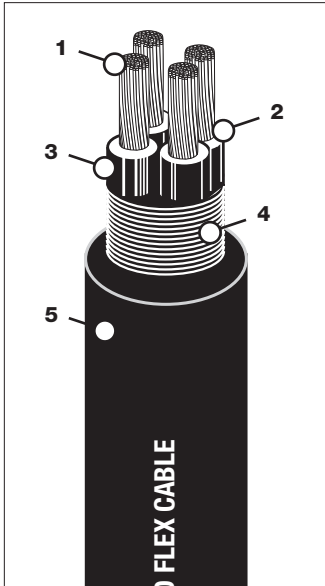
PART NO.	CORD SIZE AWG/COND	CONDUCTOR STRANDING	AMPACITY ¹	INSULATION THICKNESS (IN)	JACKET THICKNESS (IN)	NOMINAL O.D. (IN)	WT. (LBS) PER 1000'
76202	16/5	26/30	14.4	0.016	0.045	0.375	97
76198	16/4	26/30	18	0.016	0.045	0.346	81
76193	16/3	26/30	18	0.016	0.045	0.320	65
76195	14/5	41/30	20	0.016	0.045	0.430	133
76199	14/4	41/30	25	0.016	0.045	0.394	109
76403	14/3	41/30	15	0.016	0.045	0.384	90
77205	12/5	65/30	24	0.016	0.045	0.488	182
76200	12/4	65/30	30	0.016	0.045	0.438	148
76303	12/3	65/30	20	0.016	0.045	0.418	120
76205	10/5	105/30	32	0.022	0.060	0.619	287
76201	10/4	105/30	40	0.022	0.060	0.576	227
76203	10/3	105/30	25	0.022	0.060	0.561	220

NOTES: (1) Based on Table 310.15 (B) (16) of the 2008 NEC Handbook.

TPC Standard-Flex™ Power Cable

- UL Listed
- cUL
- FT-1 Flame Rating
- Sunlight Resistant
- Type TC-ER – 600 V
- WTTC – 1,000 V
- Max Conductor Temperature 90°C

TPC Standard-Flex™ Power Cable has excellent resistance to abrasion and flexing. This cable also features an oil resistant TPE conductor insulation with high dielectric, tensile and mechanical properties. Specially compounded TPE jacket allows for extreme all-weather flexibility.



FEATURES & BENEFITS

1. BUNCH STRANDED SOFT DRAWN COPPER – Longer flex life in flexing and twisting applications.

2. TPE CONDUCTOR INSULATION – Oil resistant and has high dielectric, tensile and mechanical properties.

3. CONDUCTORS ARE CODED WITH NUMERIC IDENTIFICATION – Provides fast identification of conductors. Easy to read and simplifies installation.

4. HIGH FLEX TAPE SEPERATOR AROUND INNER COMPONENTS – Provides easy movement of the conductor bundle for longer flex life.

5. SPECIALLY COMPOUNDED TPE JACKET – Superior first-line defense against tearing, abrasion, impact, oil, ozone and most chemicals. Flame and heat-resistant. Extreme all-weather flexibility.

6. NYLON FILLERS – Low friction, non-wicking fillers provide excellent flexibility.

ROTATION	4-CONDUCTOR COLOR CODE
1	Green/Yellow
2	Black-1
3	Black-2
4	Black-3
5	Black-4

ROTATION	4-CONDUCTOR COLOR CODE
1	Black-1
2	Black-2
3	Green/Yellow

ORDERING INFORMATION (Call for pricing & availability)

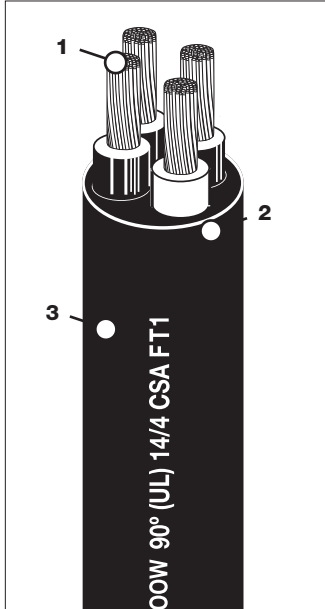
PART NO.	CORD SIZE AWG/COND	CONDUCTOR STRANDING	AMPACITY ¹	INSULATION THICKNESS (IN)	JACKET THICKNESS (IN)	NOMINAL O.D. (IN)	WT. (LBS) PER 1000'
61804	8/4	168/30	55	0.032	0.060	0.756	385
61805	8/5	168/30	44	0.032	0.060	0.824	465
61806	6/4	266/30	75	0.035	0.080	0.900	605
61808	4/4	413/30	95	0.045	0.080	1.060	910
61809	4/5	420/30	76	0.045	0.080	1.175	1090
61810	2/4	665/30	130	0.045	0.080	1.250	1220
61803	2/3	665/30	130	0.045	0.080	1.140	1007

NOTE: (1) Ambient temperature of 30°C, conductor temperature of 90°C, not more than three current-carrying conductors. Based on NEC 2011, Table 310.15(B)(16).

TPC SOOW Portable Cord

- UL Listed
- Type TC-ER – 600 V
- cUL
- WTTC – 1,000 V
- FT-1 Flame Rating
- Max Conductor Temperature 90°C
- Sunlight Resistant
- RoHS Compliant
- CSA

TPC SOOW Portable Cord has excellent resistance to abrasion, flexing and most chemicals. This cable also features an oil and fluid-resistant thermoset insulation and black thermoset jacket allowing for resistance to tearing, abrasion, flame, oils, ozone and most chemicals.



FEATURES & BENEFITS

1. EXTRA FLEX™ #30 AWG BUNCH

STRANDED COPPER – Improves flexibility and reduces conductor fatigue and breakage.

2. OIL AND FLUID-RESISTANT THERMOSET

EPDM INSULATION – Resists effects of lubricating oils, coolants, cutting oils, acids, and most chemicals.

3. BLACK CPE THERMOSET JACKET –

Resists tearing abrasion, oil, ozone and most chemicals.

APPLICATIONS

- Industrial Equipment
- Power Extensions
- Mining Applications
- Heavy Tools
- Battery Chargers
- Portable Lights
- Welding Leads
- Marine Dockside Power

NO. OF CONDUCTORS	2	3	4	5
COLOR	Black, White	Black, White, Green	Black, White, Red, Green	Black, White, Red, Orange, Green

ORDERING INFORMATION (Call for pricing & availability)

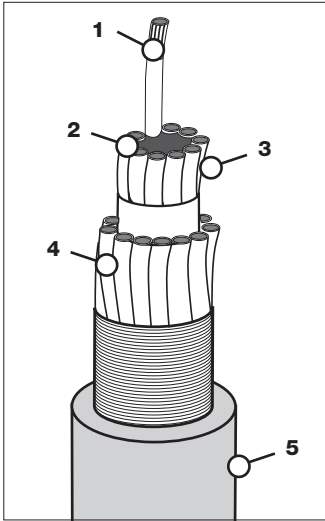
PART NO.	CORD SIZE AWG/COND	CONDUCTOR STRANDING	AMPACITY ¹	INSULATION THICKNESS (IN)	JACKET THICKNESS (IN)	NOMINAL O.D. (IN)	WT. (LBS) PER 1000'
77192	18/3	16/30	10	0.030	0.060	0.365	80
77197	18/4	16/30	10	0.030	0.060	0.390	100
77191	16/2	25/30	13	0.030	0.060	0.370	77
77193	16/3	25/30	13	0.030	0.060	0.390	94
77198	16/4	25/30	10	0.030	0.060	0.420	114
77165	16/5	25/30	8	0.030	0.080	0.515	156
77194	14/3	41/30	18	0.045	0.080	0.535	171
77199	14/4	41/30	15	0.045	0.080	0.575	209
77145	14/5	41/30	12	0.045	0.095	0.675	254
77195	12/3	65/30	25	0.045	0.095	0.595	224
77200	12/4	65/30	20	0.045	0.095	0.650	276
77125	12/5	65/30	16	0.045	0.095	0.730	308
77196	10/3	104/30	30	0.045	0.095	0.660	289
77201	10/4	104/30	25	0.045	0.095	0.715	351
77803	8/3	133/29	40	0.060	0.110	0.840	450
77804	8/4	133/29	35	0.060	0.125	0.945	580
77805	8/5	133/29	28	0.060	0.125	1.030	700

NOTES: (1) Allowable ampacity per conductor for flexible cords and cables, based on ambient temperature of 30° C, and conductor temperature of 90° C. NEC 2008 Table 400.5 (A).

TPC Standard-Flex™ Tray Cable

- UL Listed
- CSA
- Type TC
- 600 V
- FT-4 Flame Rating
- Direct Burial
- Operating Temperature Range 90°C

TPC's Standard-Flex™ Tray Cable features a high strand count and cable construction designed to provide long life in dynamic flexing applications. The security yellow TSE jacket provides excellent protection against oil and most industrial chemicals. Available in 12 AWG and various conductor counts from eight to 22 conductors. 20 AWG, 18 AWG and 16 AWG also available.



FEATURES & BENEFITS

1. BUNCH STRANDED TINNED SOFT DRAWN COPPER — Longer flex life in flexing and twisting applications. Easier to solder.

2. CONDUCTORS ARE CODED WITH ALPHA-NUMERIC IDENTIFICATION — Provides fast identification of conductors. Easy to read and simplifies installation.

3. TPE CONDUCTOR INSULATION — Oil resistant and has high dielectric, tensile and mechanical properties.

4. UNI-LAY OF ALTERNATING BUNDLES — Increases flexibility and relieves bending and twisting stress.

5. SPECIALLY COMPOUNDED, GRAY TPE JACKET — Superior first-line defense against oil, ozone and UV exposure as well as most chemicals. Flame and heat resistant. Extreme all-weather flexibility.

ADD SOME KORD-GARDS™ OR GRIP-SEALS™ TO COMPLETE YOUR ORDER!
Ask for more information.



APPLICATIONS *Not for Reeling or Forced Directional (Pulling) Applications.*

- Automatic Welders
- Broach Machines
- Control Circuits
- Cranes
- Festoon Systems
- Machine Tools
- Cable Carrier Systems
- Sensing Equipment
- Transfer Vehicles
- Positioning Equipment
- Remote Control of Electrical Equipment

Recommended Minimum Bend Radius for Cable Applications: The Minimum Bend Radius for Dynamic Applications is eight times the O.D. of the cable. Minimum Bend Radius for Static Applications is six times the O.D. of the cable.

ORDERING INFORMATION *(Call for pricing & availability)*

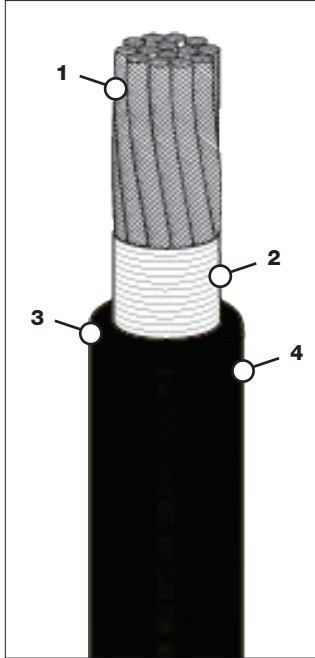
PART NO.		CORD SIZE AWG/COND	CONDUCTOR STRANDING	AMPACITY ¹	INSULATION THICKNESS (IN)	JACKET THICKNESS (IN)	NOMINAL O.D. (IN)	WT. (LBS) PER 1000'
RED	BLUE							
36605R	36605B	16/5	26 x 30	12	0.116	0.045	0.375	43
36612R	36612B	16/12	26 x 30	12	0.116	0.045	0.520	103
36619R	36619B	16/19	26 x 30	12	0.116	0.060	0.655	305
36625R	36625B	16/25	26 x 30	12	0.116	0.060	0.735	387
36633R	36633B	16/33	26 x 30	12	0.116	0.060	0.755	469

NOTE: (1) Ambient temperature of 30°C, conductor temperature of 90°C, not more than three current-carrying conductors. Based on NEC 2011, Table 310.15(B)(16).

TPC Standard-Flex™ 600 Volt Welding Cable

- 600 V
- Operating Temperature Range -40°C to 90°C

TPC Standard-Flex™ 600 Volt Welding Cable is designed for rugged use featuring our premium-grade 90°C EPDM jacket. The result is a flexible weld and power cable that withstands abrasion, extending the life of the cable in harsh applications. This cable is ideal for use in welding or power applications not exceeding 600 volts AC.



FEATURES & BENEFITS

1. CLASS K, 6 AWG THROUGH 500 KCMIL FULLY ANNEALED STRANDED COPPER –

Reduces copper conductor fatigue and breakage. Easier to work with. High flexibility.

2. PAPER SERVE – Easy to Strip, saves time with Automatic Stripping Machines.

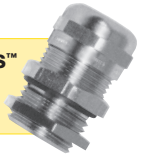
3. FOOTAGE INDICATORS MARKED ON THE JACKET – Easy, precise measuring reduces waste and improves productivity.

4. PREMIUM-GRADE, EPDM JACKET 600 VOLT –

Superior first-line defense against all types of industrial and environmental abuse. Flame and heat resistant. Extreme all-weather flexibility.

ADD KORD-GARDS™ OR GRIP-SEALS™ TO COMPLETE YOUR ORDER!

Ask your sales representative for more info.



APPLICATIONS

- Battery Charger Lead Wires
- Bus Welding Boxes or Transformers
- Portable Lighting
- Electrode Holder and Ground Connections to Arc Welders
- Power Supply Applications*

Recommended Minimum Bend Radius for Cable Applications: The Minimum Bend Radius for Dynamic Applications is eight times the O.D. of the cable. Minimum Bend Radius for Static Applications is six times the O.D. of the cable.

ORDERING INFORMATION (Call for pricing & availability)

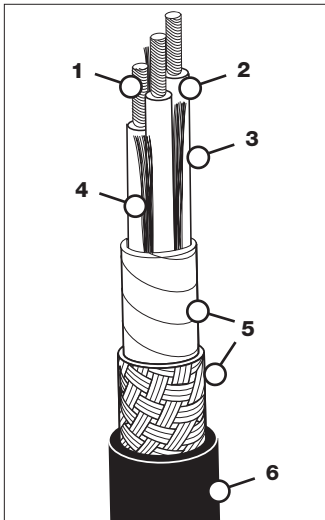
PART NO.	CABLE SIZE AWG	CONDUCTOR STRANDING	NOMINAL O.D. (IN)	WT. (LBS) PER 1000'
77310	6	259 x 30	0.319	135
77311	4	374 x 30	0.374	172
77312	2	625 x 30	0.461	260
77304	1	778 x 30	0.524	317
77314	1/0	990 x 30	0.550	400
77315	2/0	1248 x 30	0.618	487
77316	3/0	1586 x 30	0.673	605
77317	4/0	2052 x 30	0.764	827
77319	250mcm	2451 x 30	0.843	976
77321	350mcm	3458 x 30	0.960	1338
77325	500mcm	4921 x 30	1.150	1995

* For use in power applications not exceeding 600 volts AC.

TPC VFD Standard-Flex™ Power Cable

- UL Listed
- WTTC – 1,000 V
- Type TC-ER – 600 V
- Max Conductor Temperature 90°C Dry
- Direct Burial
- cUL
- CIC – TC
- Corona Resistant to 2,000 V AC
- Max Conductor Temperature 75°C Wet
- FT-4 Flame Rating

TPC's VFD Standard-Flex™ Power Cable is designed for superior performance. A heavy-duty tinned copper braid protects equipment and motor from damage caused by electrical noise and 'stray voltage' and provides a shield against EM and RF noise and interference, and a low impedance path to ground. The finely stranded copper conductors extend conductor life in dynamic applications and are alpha-numerically marked for ease of identification. Designed with a semi-conductive layer to protect against Corona discharge build up from voltage spikes during operation, our shielded power cable is Corona Resistant to 2,000 V AC.



FEATURES & BENEFITS

- 1. FINELY STRANDED COPPER** – Improves flexibility and extends flex life.
- 2. CONDUCTORS COATED WITH NUMERIC IDENTIFICATION** – Provides fast identification of conductors. Easy to read for ease of installation.
- 3. SPECIALLY COMPOUNDED TPE INSULATION** – Provides protection against corona up to 2KV. Oil resistant and enhanced mechanical properties
- 4. THREE UNINSULATED TINNED COPPER GROUNDING CONDUCTORS** – Provides circuit ground.
- 5. DUAL-SHIELD CONSTRUCTION** – Heavy duty 100% shielding of tinned copper braid and aluminum mylar tape.
- 6. SPECIALLY COMPOUNDED TPE JACKET** – Protects against UV and sunlight. Oil resistant and direct burial rated.

APPLICATIONS

AC Variable Frequency Drives are more prevalent today as the advantages of this technology have become better understood. The most common method of controlling VFD motors is the use of Pulse Width Modulation (PWM), a method where the frequency or pulse width of the drive signal is controlled to vary the motor speed. The issues associated with VFD systems are high switching speeds (10 KHz and higher) which generate electrical noise, corona discharge and "stray voltages". The generation of electrical noise, corona and "stray voltages" are potentially damaging to the motor and equipment if a non VFD or "drive rated" cable is installed. For this reason, TPC has designed a high performance VFD cable for dynamic industrial applications that reduces the effects of electrical noise and corona discharge, while providing a low impedance path to ground to eliminate the potential damage caused by "stray voltages".

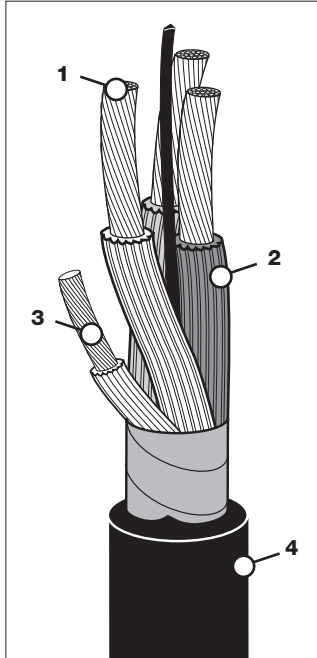
ORDERING INFORMATION (Call for pricing & availability)

PART NO.	CABLE SIZE AWG	STRANDING	BARE GROUND STRANDING	INSULATION THICKNESS (OVERALL)	JACKET THICKNESS NOMINAL (IN)	NOMINAL O.D. (IN)	WT. (LBS) PER 1000'
76808	6/3	266 x 30	10/105 x 30	.059"	.090"	.971	676
76801	4/3	413 x 30	10/105 x 30	.069"	.090"	1.13	878
76802	2/3	665 x 30	10/105 x 30	.079"	.090"	1.28	1236
76803	1/3	836 x 30	8/168 x 30	.085"	.090"	1.438	1534
76804	1/0 3 Cond.	1045 x 30	8/168 x 30	.085"	.090"	1.545	1850
76805	2/0 3 Cond.	1330 x 30	8/168 x 30	.085"	.120"	1.716	2246
76806	4/0 3 Cond.	551 x 24	8/168 x 30	.098"	.120"	2.029	3241

TPC Type TC Power Cable

- UL Listed
- cUL
- FT-4 Flame Rating
- Type TC-ER – 600 V
- WTTTC
- Max Conductor Temperature 90°C

TPC Type TC 2/0 3/C and Type TC 1 AWG 3/C Plus 6 AWG Ground Cable is designed for rugged use featuring our heavy-duty TPE jacket. The result is a flexible cable that withstands abrasion and twisting, extending the life of the cable in harsh applications.



FEATURES & BENEFITS

1. BUNCH STRANDED SOFT DRAWN BARE COPPER – Longer flex life in flexing and twisting applications.

2. TPE CONDUCTOR INSULATION – Oil resistant and has high dielectric, tensile and mechanical properties.

3. CONDUCTORS ARE NUMBERED – Provides fast identification of conductors. Easy to read and simplifies installation.

4. BLACK HEAVY-DUTY TPE JACKET – Provides superior first-line defense against industrial and environmental abuse. Resists tearing, abrasion, oil, impact, ozone, and most chemicals. Flame and heat resistant. Extreme all-weather flexibility.

APPLICATIONS

- Automation Equipment
- Robot Power Supply
- Tray Cable Applications
- Mobile Equipment

ORDERING INFORMATION (Call for pricing & availability)

PART NO.	CABLE SIZE AWG/COND	CONDUCTOR STRANDING (PRIMARY & GROUND)	NOMINAL O.D. (IN)	WT. (LBS) PER 1000'
85270	2/0 - 3 Conductor with a 6 AWG Ground	1330 x 30 & 266 x 30	1.48	1,848

PART NO.	CABLE SIZE AWG/COND	CONDUCTOR STRANDING (PRIMARY & GROUND)	AMPACITY ¹	NOMINAL O.D. (IN)	WT. (LBS) PER 1000'
85246	1 AWG – 3 Conductor with 6 AWG Ground	259 x 30 & 133 x 30	150	0.396	172

¹ Based on an ambient temperature of 30°C and conductor temperature of 90°C per NEC 2014, Table 3.10.15(B)(16).

Custom Designed & Engineered Products

CUSTOM CAPABILITIES



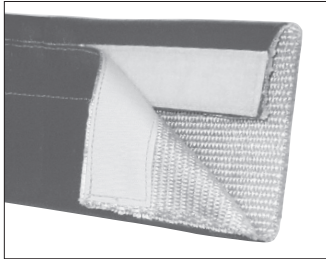
CONNECTORS: TPC's custom connectors are manufactured to address a specific industry or environmental issue and can also improve upon a well established method.

- Molded Circular Connectors – Now an in-house capability at TPC
- Molded Locking Connectors – IP69K Rated
- Molded Ball Nose (18 Series) and Taper Nose (16 Series) Cam Style Locking Connectors – Quickly connects and disconnects
- Molded Nema 5-15 Extension Cords and many others



ASSEMBLIES: Providing a complete solution saves valuable downtime and labor costs. TPC can provide a “plug and play” option for a your assembly needs.

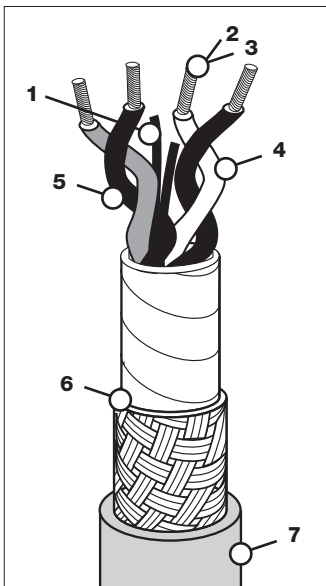
- Friction Coupling System – Prevents component destruction due to unforeseen pulling forces
- Over Molded Back Shell Assembly – Over molded with thermoplastic elastomer
- Pond Aeration Cable Assemblies – Meets a specific need for specific market segment
- Cable Carrier Systems – Create a complete system; connectorized and pre-loaded



MATERIALS/PRODUCTS: Striving to meet customer expectations, TPC provides materials and products to enhance a custom solution.

- Stainless Steel Tubing – Extra level of protection for cable that is exposed to sharp edges, metal chips, abrasion and harsh outdoor environments
- Light Stringers – Custom lengths that accept standard light bulb sizes
- High Temperature Blanket – Provides exceptional strength and insulation properties

CABLE COMPONENTS



1. CONSTRUCTION: Includes cabling and positioning of the conductors within the jacket to reduce the internal stresses and maximize performance.

2. CONDUCTORS: Can be bare copper or copper that is plated with nickel, tin, or silver. The type of conductor is determined by both the application and the environment.

3. STRANDING: Makeup has a significant impact on the flexibility of the final cable design. Selecting the proper stranding is critical to the product's overall flexibility.

4. INSULATION: Life is affected by voltage, ampacity, temperature, flexing and frequency. Matching the insulation system to the application and environment is critical to maximizing cable performance.

5. CABLING: “Lay” of the conductors is the length of the twist applied to the conductors for one complete rotation. Depending on what the cable is designed to do, the conductors are twisted together in different ways. The longer the lay the better the cable will perform in twisting applications. The shorter the lay the better the cable will perform in bending applications.

6. SHIELDING: Protects the electrical signal against EM and RF interference. In power cables, the shielding contains potential interference within the cable so that it does not affect control / communications conductors under the same jacket and other cables in close proximity.

7. JACKETING: The first line of defense for any cable. Selection of the proper jacketing or over jacket materials is critical for cable life.

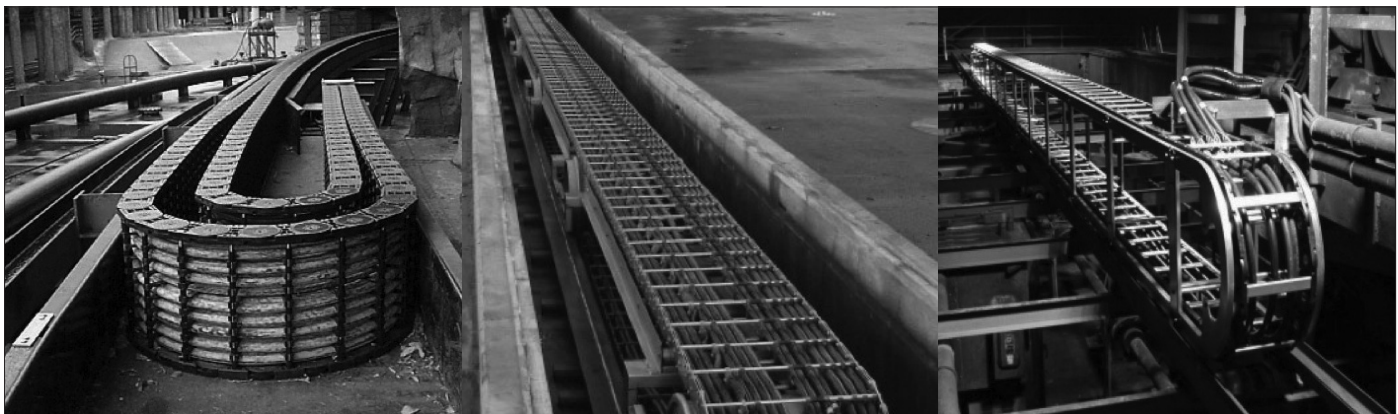
Custom Designed & Engineered Products (Continued)

CUSTOM CABLE DESIGNS

- Abrasion Resistant
- Antimicrobial
- Aramid Reinforced
- Chemically Resistant
- Composite Systems
- Custom Data & Communication
- Ethernet Systems
- Fiber Optics
- Halogen Free Flame Retardant
- Halogen Free Low Smoke
- High Temperature
- High Temperature Blankets
- High Temperature Ethernet Systems
- High Temperature RS-485
- High Temperature Sleeving
- High Temperature VFD
- High Tension Reeling
- IEC Shipboards
- Low Capacitance
- Low Temperature
- Stainless Steel Over Braid
- Thermocouple Extension
- Unique Insulation Systems
- Water Resistant

TYPICAL CUSTOM CABLE ENVIRONMENTS

- Abrasive Surfaces
- Alarm Systems
- Cable Carriers
- Cable Reels
- Control Pendants
- Critical Circuits
- Cutting Lubricants
- Elevators
- Encoder/Resolver
- Festoon Systems
- Ladle Cars
- Melt Furnaces
- Metal Machining
- Metal Treatment
- Outdoor Use
- Paint Booths
- Robotic Systems
- Sanitizing Areas
- Shuttle Presses
- Stage Power
- Submersible
- Underwater
- Vision Systems
- Washdown Areas



Cable Carriers

With decades of cable carrier system experience, TPC Wire & Cable Corp. offers you solutions to save labor, material, and downtime costs. As experts in the field we understand how important a high quality cable is to a cable carrier system. We have experience with continuous systems, piggy-back systems, dual cable carriers, double stacked cable carriers and many more.

Within a cable carrier system, the cable package usually makes up the majority of the investment. TPC Wire & Cable will provide a solution with our high quality, highly flexible cable and integrated cable chains. After considering your carrier dimensions, clearance, travel orientation, bracket configuration and other variables, we design and deliver your system as a bundle system ready for installation, saving you additional labor and downtime.

Contact your TPC Sales Representative or call 800-521-7935 to customize your cable carrier system.

A Broad Line Supplier of High Quality, High Performance Wire & Cable Products Designed for Abusive Industrial Environments



Automotive



Metals & Minerals



Food & Beverage



Government



Industrial Manufacturing



Mining



Oil & Gas



Transportation



Utility & Alternative Energy



Wood, Pulp & Paper



TPC videos highlight how our cables brilliantly handle extreme environments such as flames, impact, chemicals, oil, abrasion and more. View them online at www.tpcwire.com/company/videos.

SUPER-TREX® Power and Control Cables designed for Harsh Industrial Environments

TREX-ONICS® Designed for High Flexing Applications

CHEM-GARD™ Designed for Extreme Heat, Cold and Chemical Exposure

DEFENDER® Designed for Extreme Heat, Cold and Chemical Exposure with Added Antimicrobial Protection

THERMO-TREX® High Temperature Cable and Accessories

POWER-TREX® Temporary and Emergency Power Family of Cable and Accessories

QUICK-CONNECTS™ Quickly Switch Out Control Devices

GRIP-SEAL™ Cord and Cable Protection against Extreme Temperatures and Chemicals

VULKO-WRAP™ Self Vulcanizing Insulated Tape

KORD-GARD™ Strain Relief for Cords and Cables

CUSTOM ENGINEERED PRODUCTS Designed to Solve Your Unique Application Problems



TPC WIRE & CABLE CORP.
EXPECT HIGH PERFORMANCE®



Contract Holder
Contract GS-07F-080AA

TPC WIRE & CABLE CORP. HEADQUARTERS 9600 VALLEY VIEW RD, MACEDONIA, OHIO 44056
USA 800-521-7935 • FAX 866-528-2930 • CANADA 800-545-0122 • MEXICO 001-877-283-1696
CHILE 1230-020-0229 • COLOMBIA 0-1-800-915-7519 • PERU 0800-54863 • **WWW.TPCWIRE.COM**

WARRANTY AND DISCLAIMER: Seller makes no warranties, express or implied, with respect to this product, and seller disclaims any implied warranties of merchantability or fitness for any particular purpose. Further, seller will not be responsible for any consequential, incidental or indirect damages (including, but not limited to, any loss of profit) from any cause whatsoever.

TPC1108 (12/15) PRINTED IN U.S.A. ©Copyright 2015 by TPC Wire & Cable Corp. All rights reserved. No portion of this publication, whether in whole or in part, can be reproduced without the express written consent of TPC Wire & Cable Corp.